

# EMC shield clamps on earthing tapes

with or without integrated cable fixing function



The earthing tapes are fitted with a shield clamp at one end. This solution is used where space is limited.

The earthing tapes are available with M4 or M6 holes.



RoHS  
compliant



Made in  
Germany

## Specifications

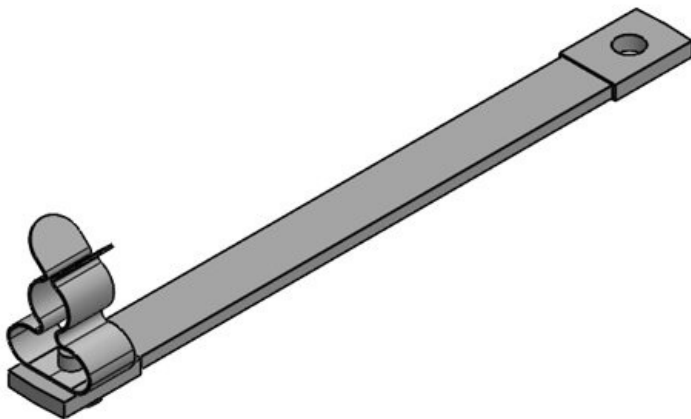
<b>Material</b>	Shield clamp: Spring steel, zinc plated Base frame: Cu-ETP
<b>Properties</b>	vibration proof
<b>Mounting options</b>	Screw type mounting, Riveting

## Advantages & benefits

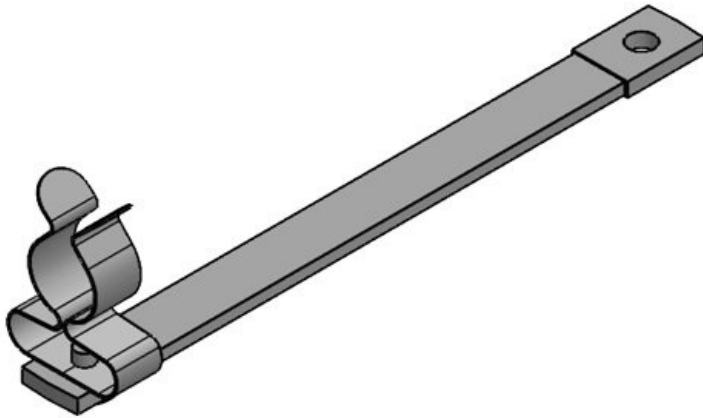
- Very flexible assembly
- Ideal for difficult to access installations
- Earthing tapes with pressed-on connecting end pads
- Standard products, short delivery times
- UL listed

## Product types & sizes

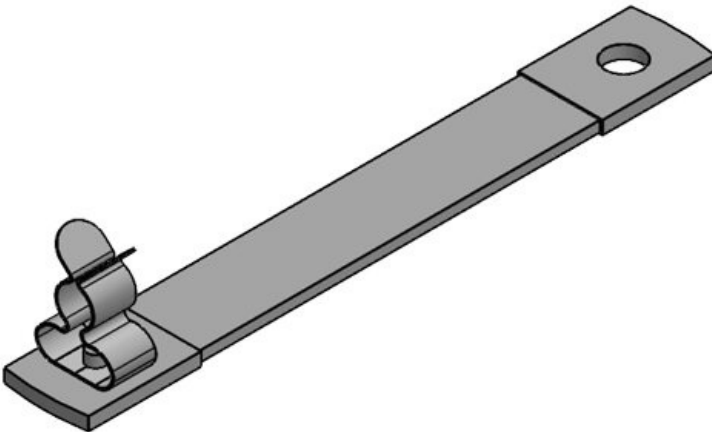
MB|100|6|M4|MSKL 3-12



Part No.	<b>32695.01</b>	Length	<b>113 mm</b>
EAN	<b>4251269324</b>	Width	<b>14,9 mm</b>
	<b>451</b>	Height	<b>25 mm</b>
Package quantity	<b>10</b>	Hole size	<b>M4</b>
No. of shield clamps	<b>1</b>	Cross-section	<b>6 mm<sup>2</sup></b>
For max. no. of cables		Current load	<b>67 - 80 A</b>
Min. shield diam.	<b>3 mm</b>		
Max. shield diam.	<b>12 mm</b>		



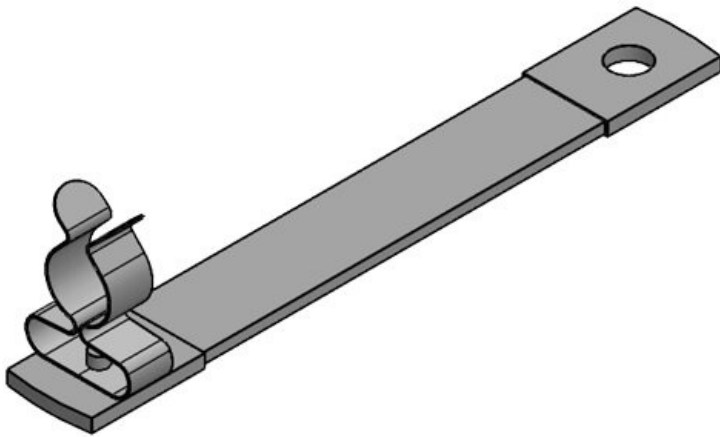
Part No.	<b>32695.02</b>	Length	<b>113 mm</b>
EAN	<b>4251269324</b>	Width	<b>19,7 mm</b>
	<b>468</b>	Height	<b>31,2 mm</b>
Package quantity	<b>10</b>	Hole size	<b>M4</b>
No. of shield clamps	<b>1</b>	Cross-section	<b>6 mm<sup>2</sup></b>
For max. no. of cables		Current load	<b>67 - 80 A</b>
Min. shield diam.	<b>8 mm</b>		
Max. shield diam.	<b>18 mm</b>		



Part No.	<b>39711.01</b>	Length	<b>120 mm</b>
EAN	<b>4251269324</b>	Width	<b>14,9 mm</b>
	<b>413</b>	Height	<b>25 mm</b>
Package quantity	<b>10</b>	Hole size	<b>M6</b>
No. of shield clamps	<b>1</b>	Cross-section	<b>10 mm<sup>2</sup></b>
For max. no. of cables		Current load	<b>89 - 106 A</b>
Min. shield diam.	<b>3 mm</b>		
Max. shield diam.	<b>12 mm</b>		

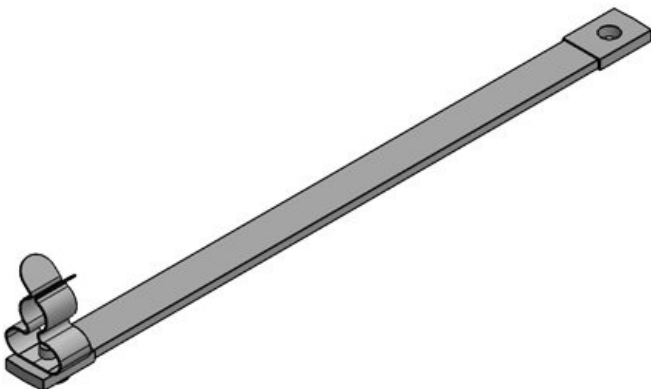
MB|100|10|M6+M4|MSKL 8-18

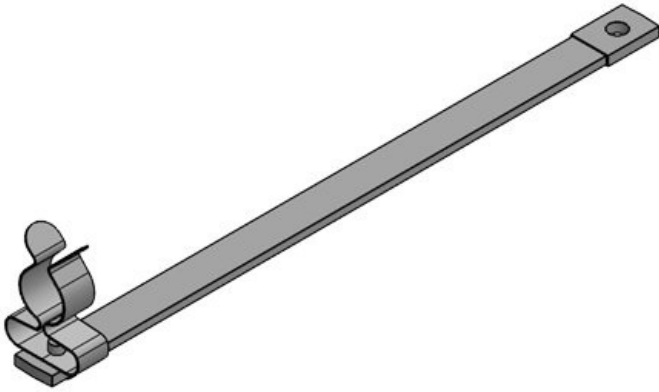
Part No.	<b>39711.02</b>	Length	<b>120 mm</b>
EAN	<b>4251269324</b>	Width	<b>19,7 mm</b>
	<b>420</b>	Height	<b>31,2 mm</b>
Package quantity	<b>10</b>	Hole size	<b>M6</b>
No. of shield clamps	<b>1</b>	Cross-section	<b>10 mm<sup>2</sup></b>
		Current load	<b>89 - 106 A</b>
For max. no. of cables	<b>1</b>		
Min. shield diam.	<b>8 mm</b>		
Max. shield diam.	<b>18 mm</b>		



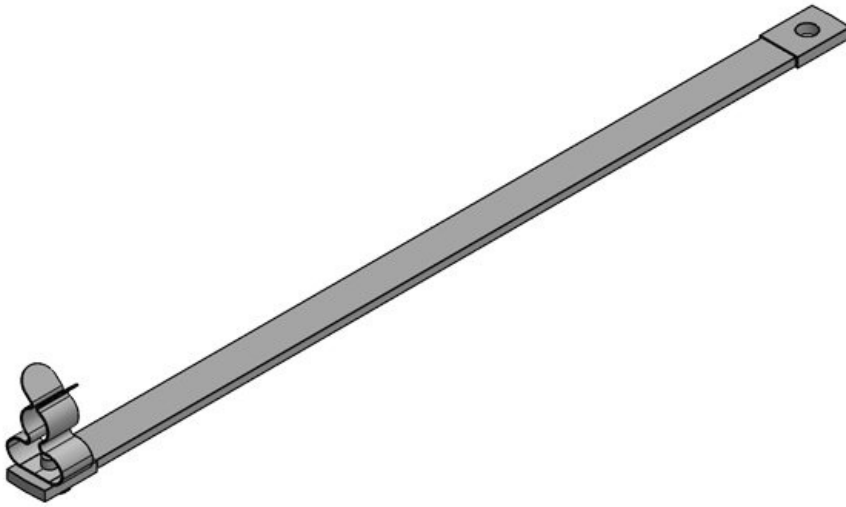
MB|150|6|M4|MSKL 3-12

Part No.	<b>39710.01</b>	Length	<b>163 mm</b>
EAN	<b>4251269324</b>	Width	<b>14,9 mm</b>
	<b>376</b>	Height	<b>25 mm</b>
Package quantity	<b>10</b>	Hole size	<b>M4</b>
No. of shield clamps	<b>1</b>	Cross-section	<b>6 mm<sup>2</sup></b>
		Current load	<b>67 - 80 A</b>
For max. no. of cables	<b>1</b>		
Min. shield diam.	<b>3 mm</b>		
Max. shield diam.	<b>12 mm</b>		





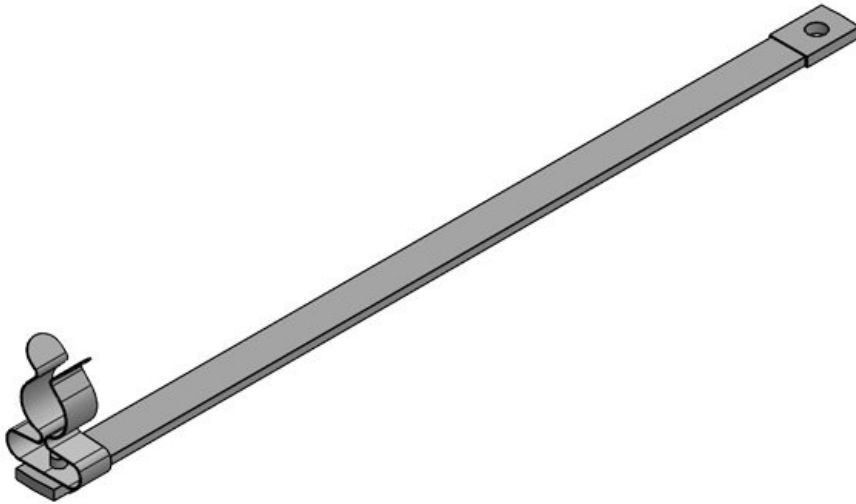
Part No.	<b>39710.02</b>	Length	<b>163 mm</b>
EAN	<b>4251269324</b>	Width	<b>19,7 mm</b>
	<b>383</b>	Height	<b>31,2 mm</b>
Package quantity	<b>10</b>	Hole size	<b>M4</b>
No. of shield clamps	<b>1</b>	Cross-section	<b>6 mm<sup>2</sup></b>
For max. no. of cables	<b>1</b>	Current load	<b>67 - 80 A</b>
Min. shield diam.	<b>8 mm</b>		
Max. shield diam.	<b>18 mm</b>		



Part No.	<b>32707.01</b>	Length	<b>213 mm</b>
EAN	<b>4251269324</b>	Width	<b>14,9 mm</b>
	<b>499</b>	Height	<b>25 mm</b>
Package quantity	<b>10</b>	Hole size	<b>M4</b>
No. of shield clamps	<b>1</b>	Cross-section	<b>6 mm<sup>2</sup></b>
For max. no. of cables	<b>1</b>	Current load	<b>67 - 80 A</b>
Min. shield diam.	<b>3 mm</b>		
Max. shield diam.	<b>12 mm</b>		

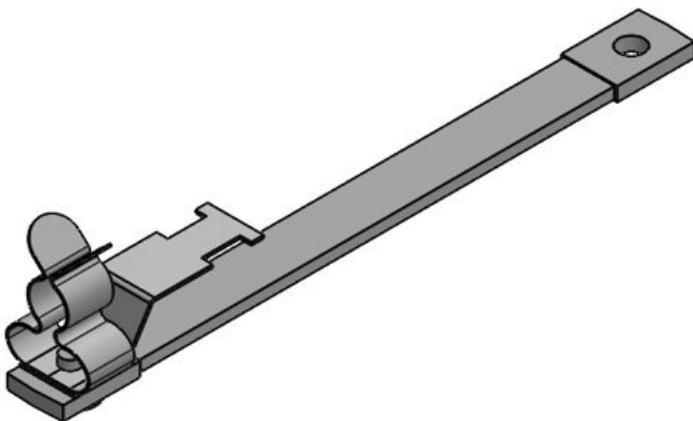
MB|200|6|M4|MSKL 8-18

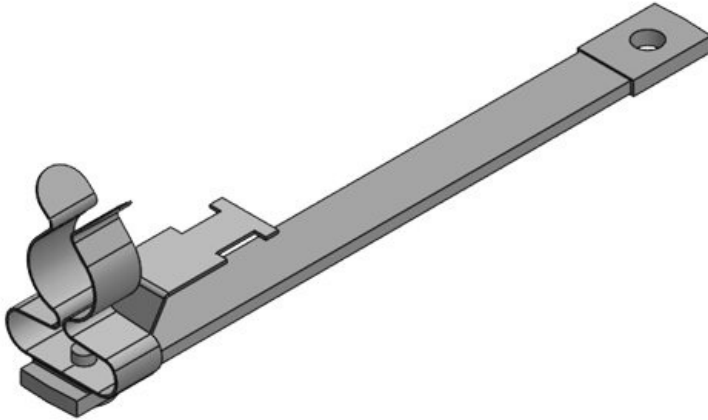
Part No.	<b>32707.02</b>	Length	<b>213 mm</b>
EAN	<b>4251269324</b>	Width	<b>19,7 mm</b>
	<b>505</b>	Height	<b>31,2 mm</b>
Package quantity	<b>10</b>	Hole size	<b>M4</b>
No. of shield clamps	<b>1</b>	Cross-section	<b>6 mm<sup>2</sup></b>
		Current load	<b>67 - 80 A</b>
For max. no. of cables	<b>1</b>		
Min. shield diam.	<b>8 mm</b>		
Max. shield diam.	<b>18 mm</b>		



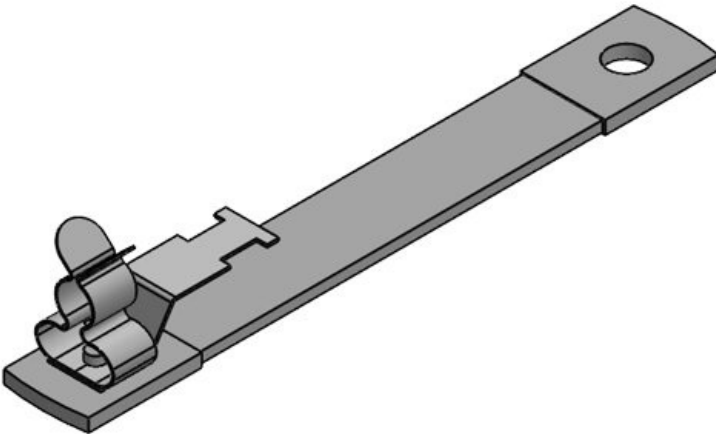
MB|100|6|M4|Z-MSKL 3-12

Part No.	<b>32695.011</b>	Length	<b>113 mm</b>
EAN	<b>4251269324</b>	Width	<b>14,9 mm</b>
	<b>475</b>	Height	<b>25 mm</b>
Package quantity	<b>10</b>	Hole size	<b>M4</b>
No. of shield clamps	<b>1</b>	Cross-section	<b>6 mm<sup>2</sup></b>
		Current load	<b>67 - 80 A</b>
For max. no. of cables	<b>1</b>		
Min. shield diam.	<b>3 mm</b>		
Max. shield diam.	<b>12 mm</b>		





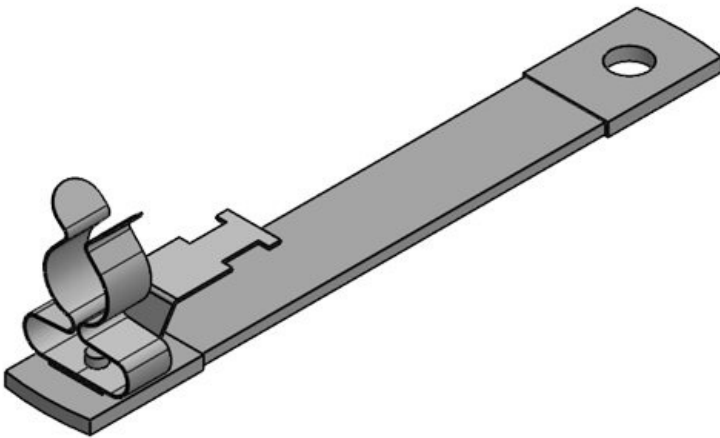
Part No.	<b>32695.021</b>	Length	<b>113 mm</b>
EAN	<b>4251269324</b>	Width	<b>19,7 mm</b>
	<b>482</b>	Height	<b>31,2 mm</b>
Package quantity	<b>10</b>	Hole size	<b>M4</b>
No. of shield clamps	<b>1</b>	Cross-section	<b>6 mm<sup>2</sup></b>
For max. no. of cables		Current load	<b>67 - 80 A</b>
Min. shield diam.	<b>8 mm</b>		
Max. shield diam.	<b>18 mm</b>		



Part No.	<b>39711.011</b>	Length	<b>120 mm</b>
EAN	<b>4251269324</b>	Width	<b>14,9 mm</b>
	<b>437</b>	Height	<b>25 mm</b>
Package quantity	<b>10</b>	Hole size	<b>M6</b>
No. of shield clamps	<b>1</b>	Cross-section	<b>10 mm<sup>2</sup></b>
For max. no. of cables		Current load	<b>89 - 106 A</b>
Min. shield diam.	<b>3 mm</b>		
Max. shield diam.	<b>12 mm</b>		

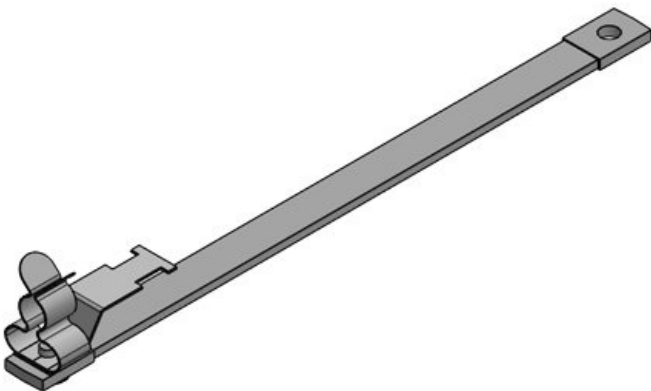
MB|100|10|M6+M4|Z-MSKL 8-18

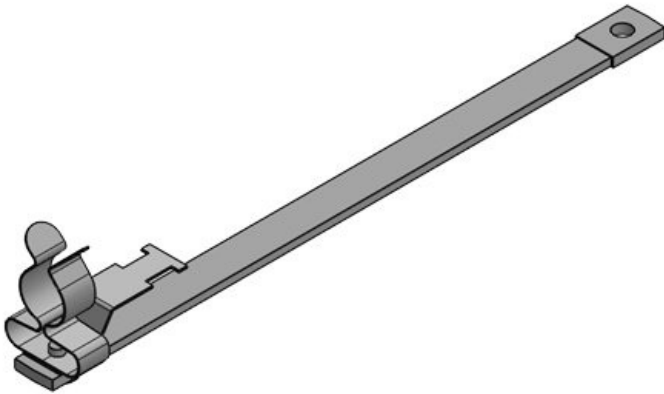
Part No.	<b>39711.021</b>	Length	<b>120 mm</b>
EAN	<b>4251269324</b>	Width	<b>19,7 mm</b>
	<b>444</b>	Height	<b>31,2 mm</b>
Package quantity	<b>10</b>	Hole size	<b>M6</b>
No. of shield clamps	<b>1</b>	Cross-section	<b>10 mm<sup>2</sup></b>
For max. no. of cables	<b>1</b>	Current load	<b>89 - 106 A</b>
Min. shield diam.	<b>8 mm</b>		
Max. shield diam.	<b>18 mm</b>		



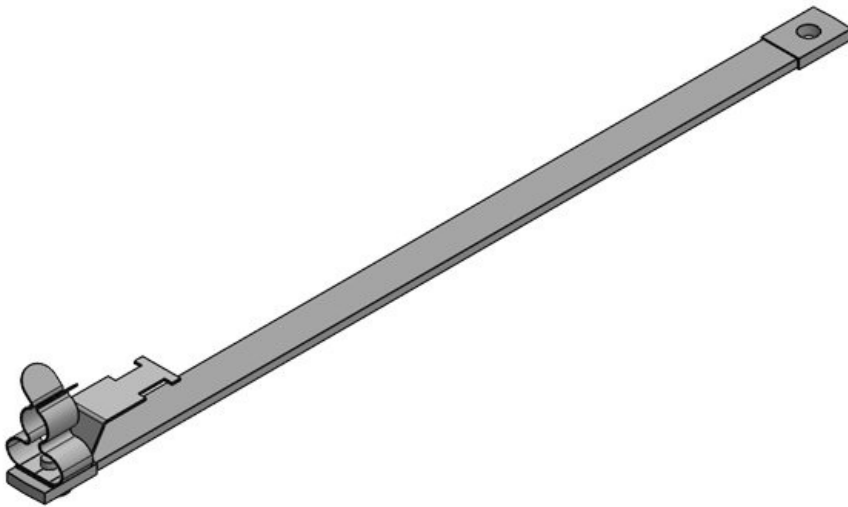
MB|150|6|M4|Z-MSKL 3-12

Part No.	<b>39710.011</b>	Length	<b>163 mm</b>
EAN	<b>4251269324</b>	Width	<b>14,9 mm</b>
	<b>390</b>	Height	<b>25 mm</b>
Package quantity	<b>10</b>	Hole size	<b>M4</b>
No. of shield clamps	<b>1</b>	Cross-section	<b>6 mm<sup>2</sup></b>
For max. no. of cables	<b>1</b>	Current load	<b>67 - 80 A</b>
Min. shield diam.	<b>3 mm</b>		
Max. shield diam.	<b>12 mm</b>		





Part No.	<b>39710.021</b>	Length	<b>163 mm</b>
EAN	<b>4251269324</b>	Width	<b>19,7 mm</b>
	<b>406</b>	Height	<b>31,2 mm</b>
Package quantity	<b>10</b>	Hole size	<b>M4</b>
No. of shield clamps	<b>1</b>	Cross-section	<b>6 mm<sup>2</sup></b>
For max. no. of cables	<b>1</b>	Current load	<b>67 - 80 A</b>
Min. shield diam.	<b>8 mm</b>		
Max. shield diam.	<b>18 mm</b>		



Part No.	<b>32707.011</b>	Length	<b>213 mm</b>
EAN	<b>4251269324</b>	Width	<b>14,9 mm</b>
	<b>512</b>	Height	<b>25 mm</b>
Package quantity	<b>10</b>	Hole size	<b>M4</b>
No. of shield clamps	<b>1</b>	Cross-section	<b>6 mm<sup>2</sup></b>
For max. no. of cables	<b>1</b>	Current load	<b>67 - 80 A</b>
Min. shield diam.	<b>3 mm</b>		
Max. shield diam.	<b>12 mm</b>		



Part No.	<b>32707.021</b>	Length	<b>213 mm</b>
EAN	<b>4251269324</b>	Width	<b>19,7 mm</b>
	<b>529</b>	Height	<b>31,2 mm</b>
Package quantity	<b>10</b>	Hole size	<b>M4</b>
No. of shield clamps	<b>1</b>	Cross-section	<b>6 mm<sup>2</sup></b>
		Current load	<b>67 - 80 A</b>
For max. no. of cables	<b>1</b>		
Min. shield diam.	<b>8 mm</b>		
Max. shield diam.	<b>18 mm</b>		

